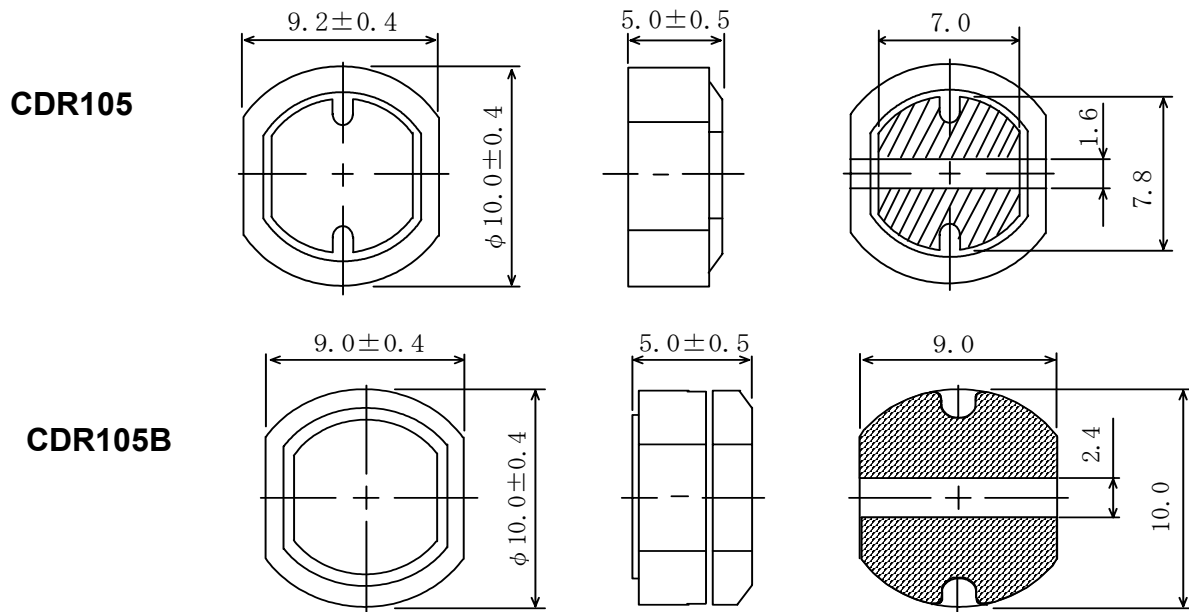
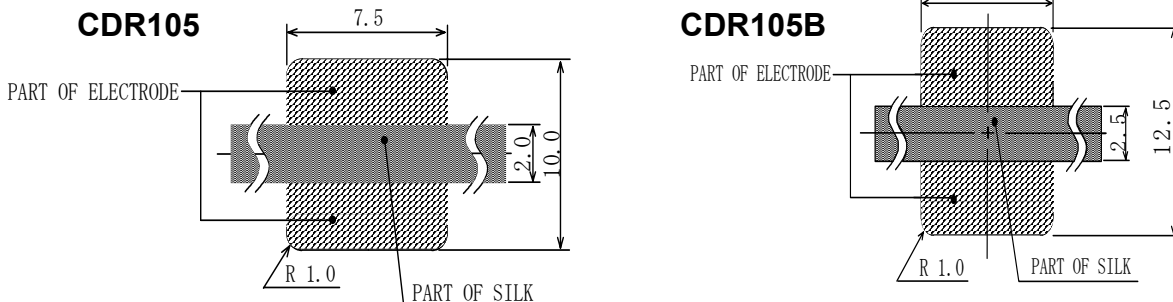


Type: CDR105, CDR105B
◆ Product Description

- 10.4 × 9.6mm Max. (L × W), 5.5mm Max. Height (CDR105)
- 10.4 × 9.4mm Max. (L × W), 5.5mm Max. Height (CDR105B)
- Inductance range: 10 ~ 470 μ H
- Rated current range: 0.37 ~ 2.53A (CDR105) ; 0.33 ~ 2.06A (CDR105B).
- In addition to the standards versions shown here, custom inductors are also available to meet your exact requirements.


◆ Feature

- Magnetically shielded construction.
- Ideally used in Notebook PC, LCD TV, Game machine, HDD, DSC/DVC, etc as DC-DC Converter inductors.
- RoHS Compliance.

◆ Dimensions (mm)

◆ Land Pattern (mm)


Type: CDR105,CDR105B
◆ Specification(CDR105)

Part name ※	Stamp	Inductance [within]※ 1	D.C.R.(Ω) Max (at 20℃)	Rated Current (A)※2-1	S.R.F (MHZ) [typ.]
CDR105NP-100M□	100M	10 μH $\begin{matrix} +20\% \\ -15\% \end{matrix}$	0.06	2.53	31
CDR105NP-120M□	120M	12 μH $\begin{matrix} +20\% \\ -15\% \end{matrix}$	0.06	2.31	27
CDR105NP-150M□	150M	15 μH $\begin{matrix} +20\% \\ -15\% \end{matrix}$	0.07	2.06	27
CDR105NP-180M□	180M	18 μH $\begin{matrix} +20\% \\ -15\% \end{matrix}$	0.08	1.89	26
CDR105NP-220M□	220M	22 μH $\begin{matrix} +20\% \\ -15\% \end{matrix}$	0.09	1.71	21
CDR105NP-270M□	270M	27 μH $\begin{matrix} +20\% \\ -15\% \end{matrix}$	0.11	1.54	18
CDR105NP-330M□	330M	33 μH $\begin{matrix} +20\% \\ -15\% \end{matrix}$	0.12	1.39	16
CDR105NP-390M□	390M	39 μH $\begin{matrix} +20\% \\ -15\% \end{matrix}$	0.16	1.28	15
CDR105NP-470M□	470M	47 μH $\begin{matrix} +20\% \\ -15\% \end{matrix}$	0.18	1.17	14
CDR105NP-560M□	560M	56 μH $\begin{matrix} +20\% \\ -15\% \end{matrix}$	0.19	1.07	12
CDR105NP-680M□	680M	68 μH $\begin{matrix} +20\% \\ -15\% \end{matrix}$	0.22	0.97	11
CDR105NP-820M□	820M	82 μH $\begin{matrix} +20\% \\ -15\% \end{matrix}$	0.28	0.88	10
CDR105NP-101M□	101M	100 μH $\begin{matrix} +20\% \\ -15\% \end{matrix}$	0.35	0.80	7.0
CDR105NP-121M□	121M	120 μH $\begin{matrix} +20\% \\ -15\% \end{matrix}$	0.38	0.73	6.5
CDR105NP-151M□	151M	150 μH $\begin{matrix} +20\% \\ -15\% \end{matrix}$	0.45	0.65	5.8
CDR105NP-181M□	181M	180 μH $\begin{matrix} +20\% \\ -15\% \end{matrix}$	0.62	0.60	5.3
CDR105NP-221M□	221M	220 μH $\begin{matrix} +20\% \\ -15\% \end{matrix}$	0.69	0.54	5.2
CDR105NP-271M□	271M	270 μH $\begin{matrix} +20\% \\ -15\% \end{matrix}$	0.78	0.49	4.6
CDR105NP-331M□	331M	330 μH $\begin{matrix} +20\% \\ -15\% \end{matrix}$	1.03	0.44	4.2
CDR105NP-391M□	391M	390 μH $\begin{matrix} +20\% \\ -15\% \end{matrix}$	1.18	0.41	3.6
CDR105NP-471M□	471M	470 μH $\begin{matrix} +20\% \\ -15\% \end{matrix}$	1.60	0.37	3.6

Type: CDR105,CDR105B
◆ Specification (CDR105B)

Part name ※	Stamp	Inductance [Within] ※ 1	D.C.R. (Ω)[MAX.] (at 20°C)	Rated Current (A)※2-2	S.R.F.(MHz) [Ref.]
CDR105BNP-100M□	100	10 μ H \pm 20%	0.06	2.06	29.1
CDR105BNP-120M□	120	12 μ H \pm 20%	0.07	1.94	26.5
CDR105BNP-150M□	150	15 μ H \pm 20%	0.07	1.72	24.2
CDR105BNP-180M□	180	18 μ H \pm 20%	0.08	1.58	21.8
CDR105BNP-220M□	220	22 μ H \pm 20%	0.08	1.42	18.8
CDR105BNP-270M□	270	27 μ H \pm 20%	0.10	1.32	17.1
CDR105BNP-330L□	330	33 μ H \pm 15%	0.11	1.16	14.2
CDR105BNP-390L□	390	39 μ H \pm 15%	0.12	1.10	14.1
CDR105BNP-470L□	470	47 μ H \pm 15%	0.14	1.00	11.5
CDR105BNP-560L□	560	56 μ H \pm 15%	0.19	0.93	11.1
CDR105BNP-680L□	680	68 μ H \pm 15%	0.21	0.85	10.2
CDR105BNP-820L□	820	82 μ H \pm 15%	0.28	0.79	9.2
CDR105BNP-101K□	101	100 μ H \pm 10%	0.34	0.72	8.1
CDR105BNP-121K□	121	120 μ H \pm 10%	0.37	0.63	7.3
CDR105BNP-151K□	151	150 μ H \pm 10%	0.51	0.55	6.2
CDR105BNP-181K□	181	180 μ H \pm 10%	0.57	0.50	5.6
CDR105BNP-221K□	221	220 μ H \pm 10%	0.78	0.47	5.4
CDR105BNP-271K□	271	270 μ H \pm 10%	0.87	0.41	5.0
CDR105BNP-331K□	331	330 μ H \pm 10%	1.20	0.37	4.2
CDR105BNP-391K□	391	390 μ H \pm 10%	1.34	0.35	3.8
CDR105BNP-471K□	471	470 μ H \pm 10%	1.50	0.33	3.5

※ Description of part name

CDR105BNP-100M□

- B Box
- C Carrier Tape

※1: Measuring frequency: 10 μ H \sim 82 μ H at 2.52 MHz;
100 μ H \sim 470 μ H at 1 kHz.

※2-1: Rated current: The D.C. current at which the inductance decreases to 80% of it's nominal value or when $\Delta t=40^{\circ}\text{C}$, whichever is lower($T_a=20^{\circ}\text{C}$).

※2-2: Rated current: The D.C. current at which the inductance decreases to 90% of it's initial value or when $\Delta t=40^{\circ}\text{C}$, whichever is lower($T_a=20^{\circ}\text{C}$).